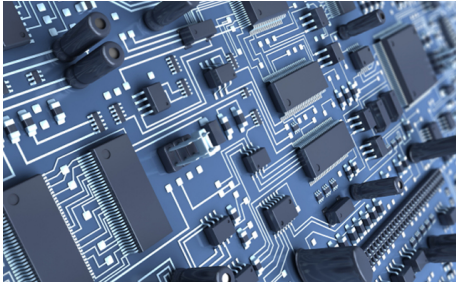


Electronics

Chapter 44



Electronics is often concerned with controlling small amounts of current.

Electronic devices



Resistor



Variable resistor



LDR Light Dependent Resistor

Resistors lower current



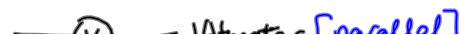
light



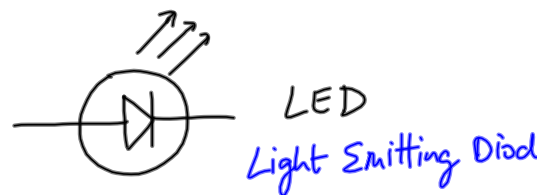
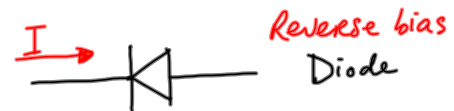
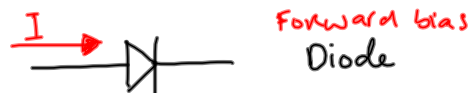
Switch



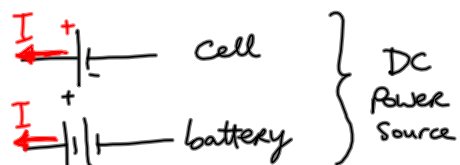
Ammeter [Series]



Voltmeter [Parallel]

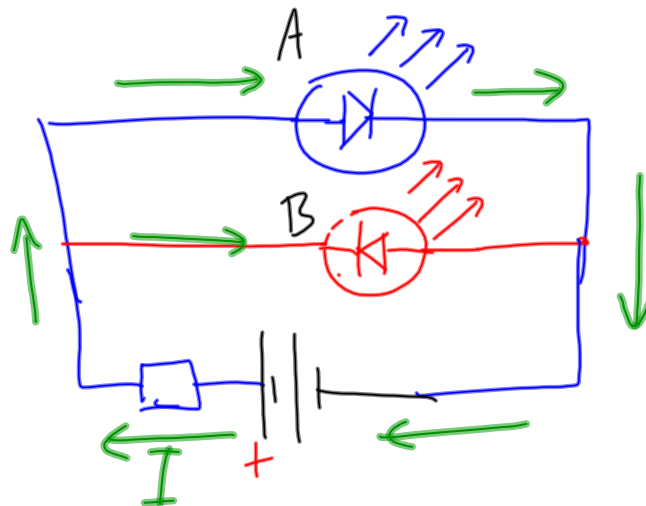
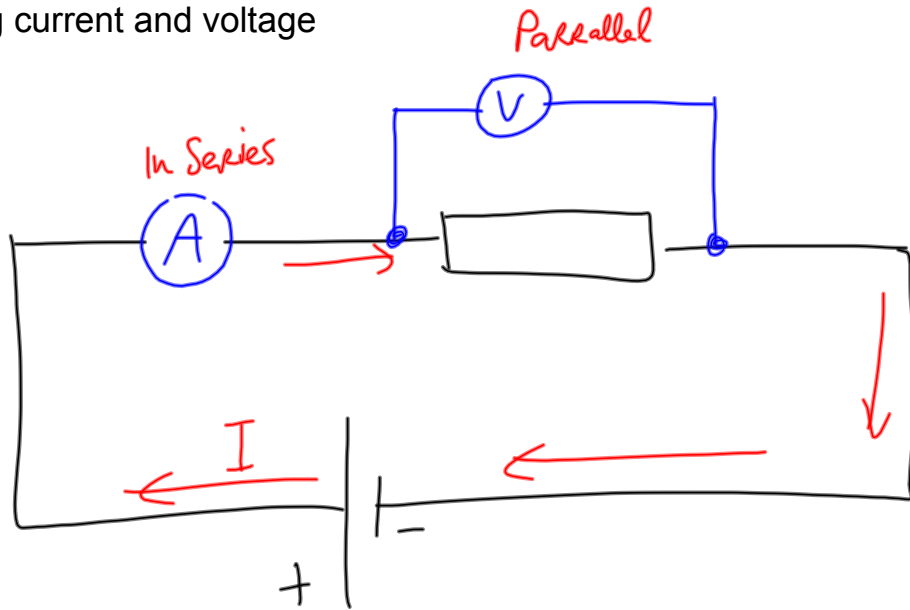


diodes allow current flow in one direction.



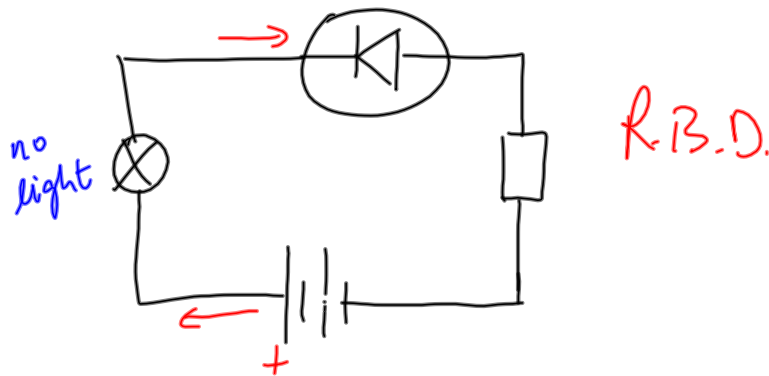
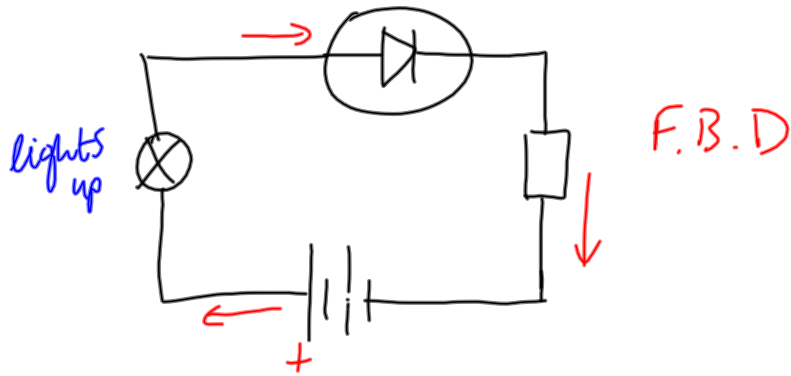
AC power source

measuring current and voltage

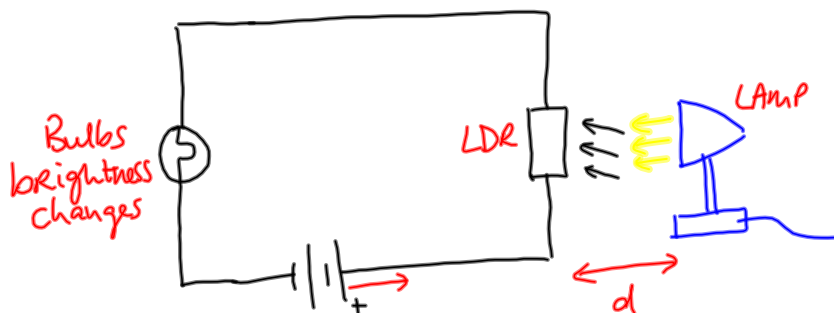


A lights [Forward Bias]

B doesn't light [Reverse Bias]



To see how light intensity effects an LDR



As the lamp moves closer to the LDR the brightness in the bulb changes.

